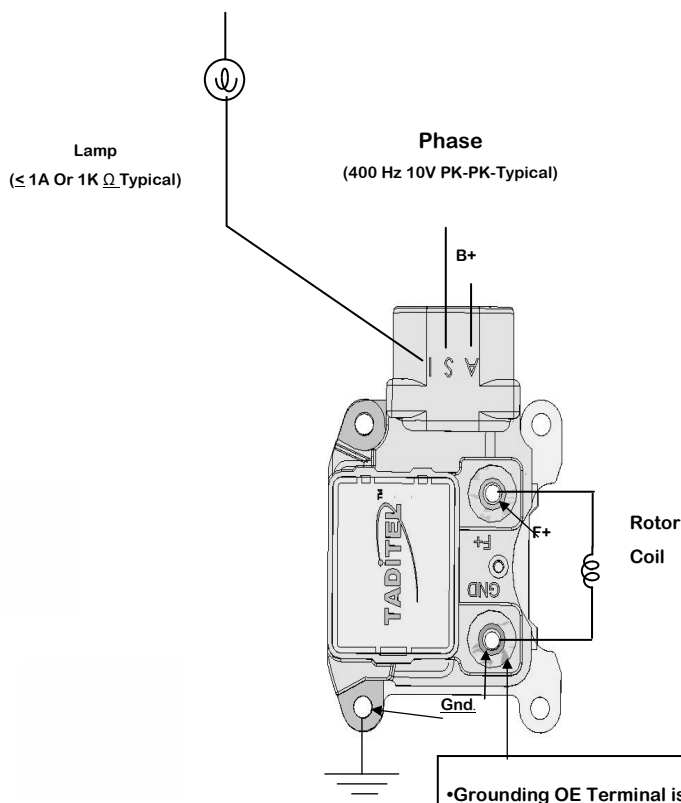




## Attention

### T801 – 3G (ASVR) Regulator

- **Special Test Procedures Required for the regulator when tested separately from the Alternator**
- **When Regulator is installed in Alternator Normal Test procedures can be used, however grounding “F” terminal will not produce Full output of the Alternator**



#### Special Testing :

- **All field and switching measurements should be made on F+**
- **Test with same Procedures as Taditel ASVR Reg. (T437)**

• **Grounding OE Terminal is typically used to force full output. On Taditel's T801 this Terminal is now connected to ground.**